

## 700VDC, General Purpose Fuse for EV/HEV HV170-XXAP Series

### Description 描述

- General purpose fuse for EV/HEV 用于纯电动汽车和混合动力汽车的全范围分断熔断器
- Stud-mount, optional for other installtion 螺栓安装,提供其他安装方式选择
- 700Vdc ideal for EV or HEV application 专为纯电动汽车和混合动力汽车设计的 700V 直流熔断器
- Exceellent DC performance 卓越的直流分断能力
- Special designed fuse base for vehicle situation 提供专为汽车恶劣环境特殊定制的熔断器底座

Electrical Characteristics		
% of Ampere Rating (A)	Operating	
	Min	Max
110%	14400	-
200%	1	300
300%	0.2	30
500%	0.1	10

### Specifications 电气特性

Type	Ordering P/N	Electrical Characteristics	
类型	订购料号	Rated Current	Interrupting rating
		(Amp)	
Single/ 单体	HV170-5AP	5	700Vdc/10000A
	HV170-6AP	6	
	HV170-8AP	8	
	HV170-10AP	10	
	HV170-15AP	15	
	HV170-20AP	20	
	HV170-25AP	25	
	HV170-30AP	30	

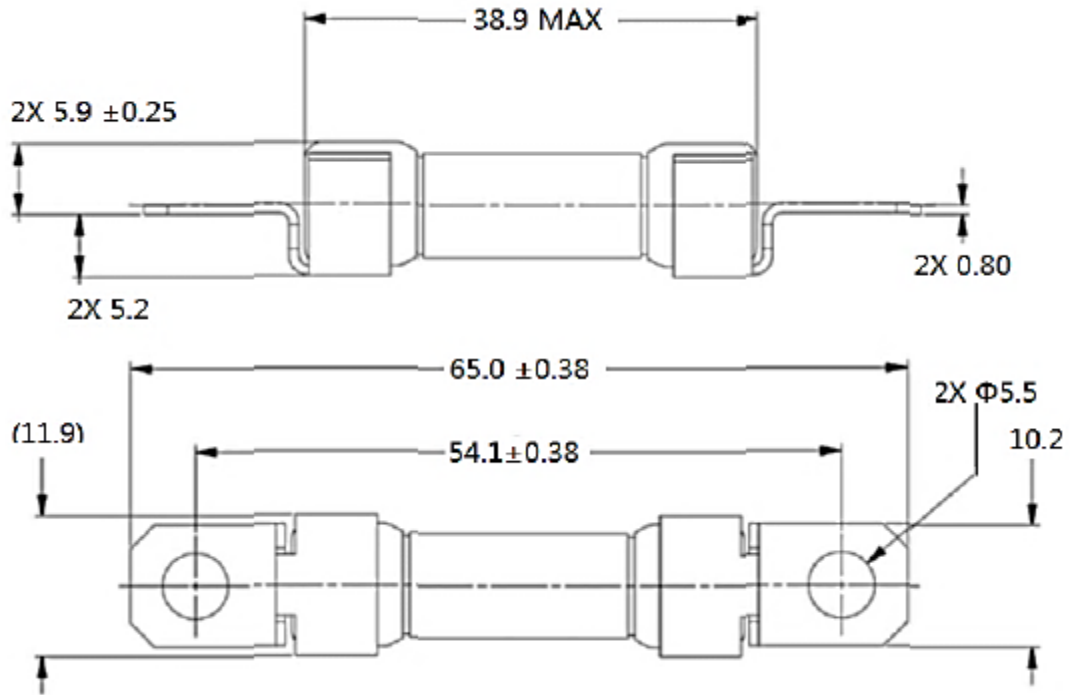
\*Percentage of change in fuse current carry capability Change in ambient temperature 熔断器随温度变化降额系数:  $-0.13\%/^{\circ}\text{C}$

\*Temperature Rise 温升:  $\leq 75\text{K}$  with rated current 额定电流下小于等于 75K  
 $\leq 45\text{K}$  with 60% of rated current 60%额定电流小于等于 45K

700VDC, General Purpose Fuse for EV/HEV  
HV170-XXAP Series

**Dimension (mm)尺寸**

Type: 单体 Single



700VDC, General Purpose Fuse for EV/HEV  
HV170-XXAP Series

Time-Current Curve 时间电流曲线

