

MTG306D ✓ ACTIVE

Alcoswitch | Alcoswitch MTG

TE Internal #: 2-1437559-8

Toggle Switches, Three Pole - Double Throw Configuration (Pole-Throw), 15/32-32, Copper Alloy, Gold Flash over Silver, Baton Short, Alcoswitch MTG

[View on TE.com >](#)



Switches > Toggle Switches



Configuration (Pole-Throw): **Three Pole - Double Throw**

Bushing Thread Size: **15/32-32**

Contact Base Material: **Copper Alloy**

Switch Contact Plating Material: **Gold Flash over Silver**

Process Sealed: **No**

Features

Product Type Features

Switch Connection Type	Wire Lugs
Sealed Device	Yes
Toggle Style	Baton Short
Switch Type	Toggle

Configuration Features

Configuration (Pole-Throw)	Three Pole - Double Throw
Operating Function	On None On

Electrical Characteristics

Dielectric Withstanding Voltage (Max)	1500 VAC
Insulation Resistance	1000 MΩ
Contact Resistance	10 mΩ
Operating Voltage	28 VDC

Body Features

Actuator Finish	Chrome
-----------------	--------



Case Color	Green
Bushing Thread Size	15/32-32
Product Orientation	Vertical
Bushing Style	Threaded

Contact Features

Contact Base Material	Copper Alloy
Switch Contact Plating Material	Gold Flash over Silver
Contact Current Rating	6 A

Mechanical Attachment

Product Mount Type	Panel
--------------------	-------

Housing Features

Process Sealed	No
----------------	----

Dimensions

Toggle Length	11.48 mm[.452 in]
---------------	-------------------

Industry Standards

UL Flammability Rating	UL 94V-0
------------------------	----------

Product Compliance

[For compliance documentation, visit the product page on TE.com>](#)

EU RoHS Directive 2011/65/EU	Compliant
EU ELV Directive 2000/53/EC	Compliant with Exemptions
China RoHS 2 Directive MIIT Order No 32, 2016	No Restricted Materials Above Threshold
EU REACH Regulation (EC) No. 1907/2006	<p>Current ECHA Candidate List: JAN 2024 (240) Candidate List Declared Against: JUNE 2022 (224) SVHC > Threshold: 1,6,7,8,9,14,15,16,17,17,18,18-dodecachloropentacyclo [12.2.1.16,9.02,13.05,10]octadeca-7,15-diene (Dechlorane Plus) (.96% in Component Part) Pb (2.14% in Component Part)</p> <p>Article Safe Usage Statements: Do not eat, drink or smoke when using this product. Wash thoroughly after handling. Do not handle until all safety precautions have been read and understood. Recycle if possible and dispose of the article by following all applicable governmental regulations relevant to your geographic location.</p>
Halogen Content	Not Low Halogen - contains Br or Cl > 900



ppm.

Solder Process Capability

Wave solder capable to 265°C

Product Compliance Disclaimer

This information is provided based on reasonable inquiry of our suppliers and represents our current actual knowledge based on the information they provided. This information is subject to change. The part numbers that TE has identified as EU RoHS compliant have a maximum concentration of 0.1% by weight in homogenous materials for lead, hexavalent chromium, mercury, PBB, PBDE, DBP, BBP, DEHP, DIBP, and 0.01% for cadmium, or qualify for an exemption to these limits as defined in the Annexes of Directive 2011/65/EU (RoHS2). Finished electrical and electronic equipment products will be CE marked as required by Directive 2011/65/EU. Components may not be CE marked. Additionally, the part numbers that TE has identified as EU ELV compliant have a maximum concentration of 0.1% by weight in homogenous materials for lead, hexavalent chromium, and mercury, and 0.01% for cadmium, or qualify for an exemption to these limits as defined in the Annexes of Directive 2000/53/EC (ELV). Regarding the REACH Regulation, the information TE provides on SVHC in articles for this part number is based on the latest European Chemicals Agency (ECHA) 'Guidance on requirements for substances in articles' posted at this URL: <https://echa.europa.eu/guidance-documents/guidance-on-reach>

Compatible Parts



TE Part # 1-1437559-1
MTG106D=(MSTG) SW TOG
MUSTANG



TE Part # 1-1437559-2
MTG106E=(MSTG) SW TOG
MUSTANG



TE Part # 1-1437559-3
MTG106F=(MSTG) SW TOG
MUSTANG



TE Part # 1-1437559-4
MTG106G=(MSTG) SWITCH TOG
MUST

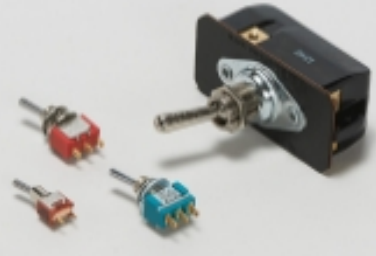


TE Part # 1-1437559-8
MTG206N=SWITCH TOG MUSTANG

Also in the Series | Alcoswitch MTG

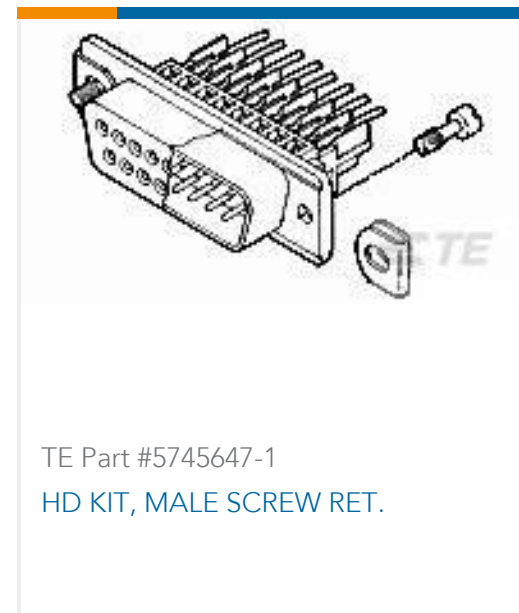
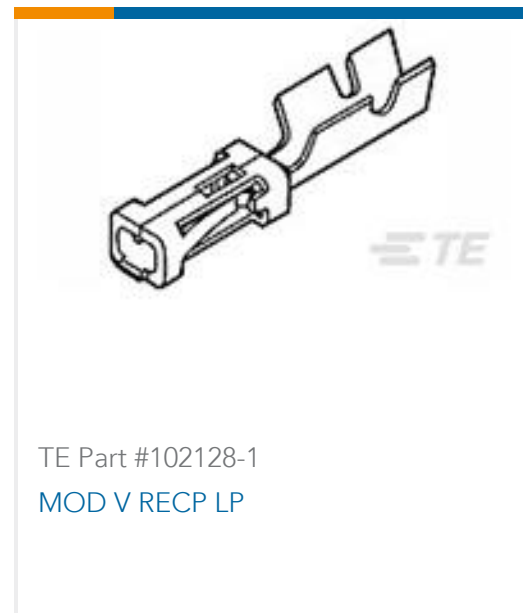


FFC Connectors(1)



Toggle Switches(7)

Customers Also Bought



Documents

Product Drawings

[MTG306D=\(MSTG\) SW TOG MUSTANG](#)

English

CAD Files

[3D PDF](#)

3D

Customer View Model

[ENG_CVM_CVM_2-1437559-8_E.2d_dxf.zip](#)

English

Customer View Model

[ENG_CVM_CVM_2-1437559-8_E.3d_igs.zip](#)

English

Customer View Model

[ENG_CVM_CVM_2-1437559-8_E.3d_stp.zip](#)

English

By downloading the CAD file I accept and agree to the [Terms and Conditions](#) of use.

Datasheets & Catalog Pages

[2-1773458-6_GREEN_SERIES_SWITCHES](#)

English