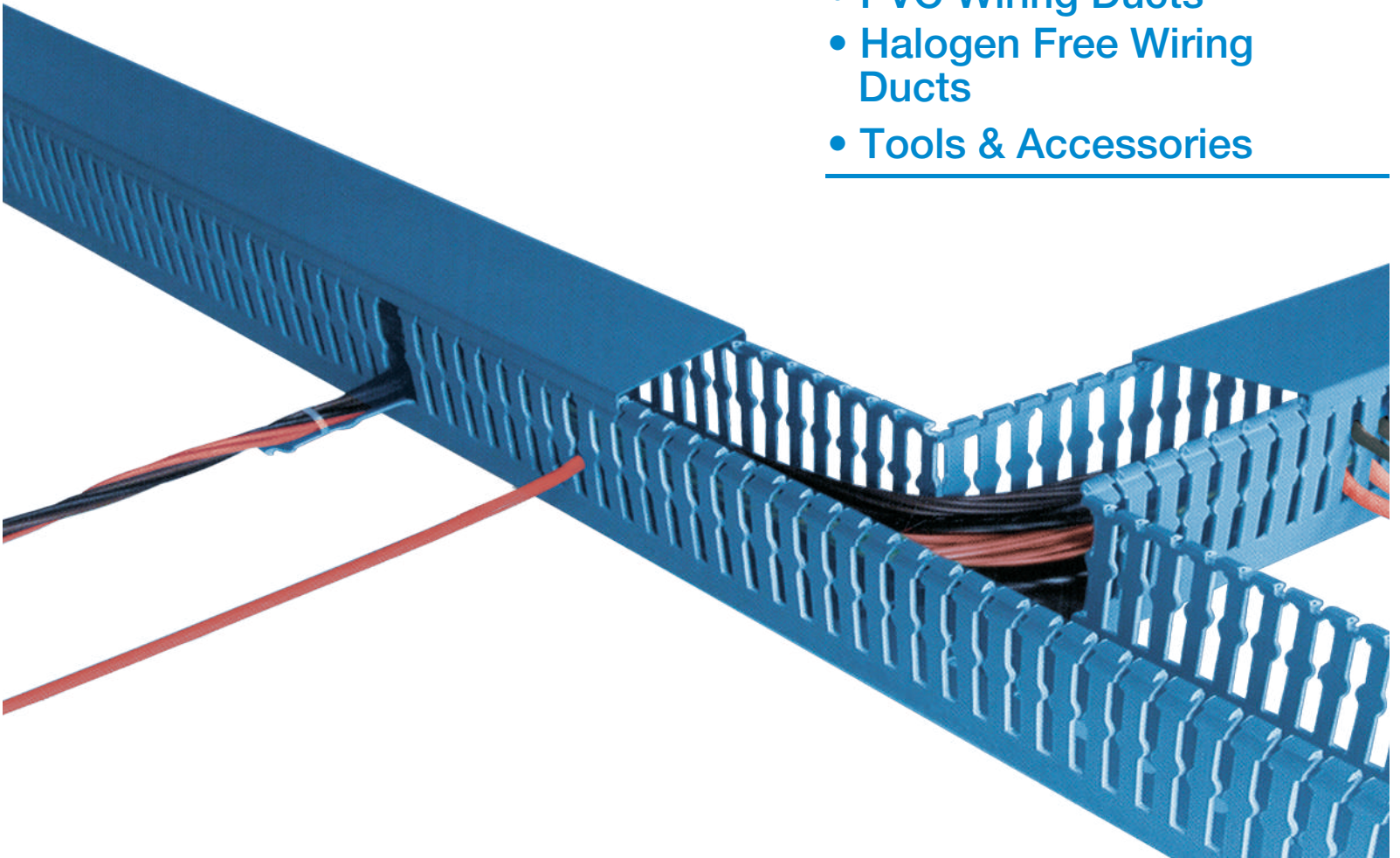




WIRING DUCTS

WIRE MANAGEMENT SOLUTIONS

- PVC Wiring Ducts
- Halogen Free Wiring Ducts
- Tools & Accessories



FRLS



REACH
CERTIFIED



UK
CA

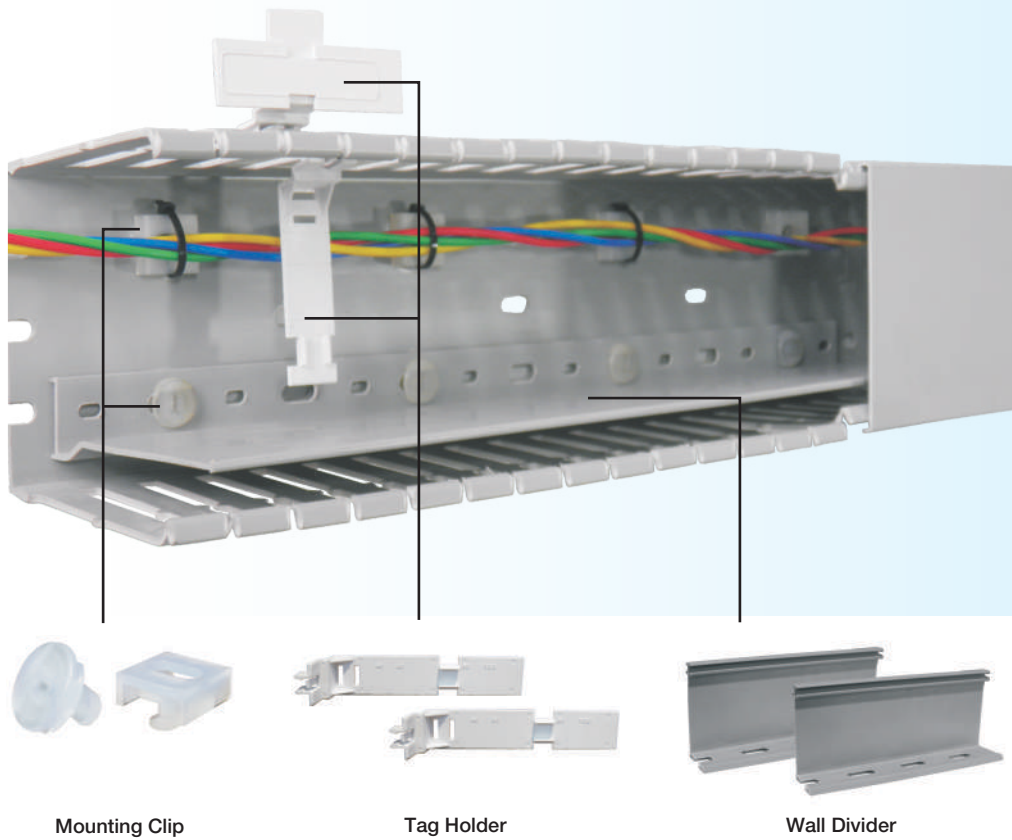


SIMPLY SOLUTIONS

Wiring Ducts





Trinity Touch provides state-of-art Wiring Ducts

Trinity Touch Wiring Ducts are the premium products, available in wide range to accommodate wires and cables for the smallest wall mounted panel to larger integrated systems.



Available in All Colours

Stocked in 4 colours

| | | | |
|---|---------------------|---|---------------------|
|  | Blue (RAL 5015) |  | Grey (RAL 7042) |
|  | White (RAL 9016) |  | Black (RAL 9005) |

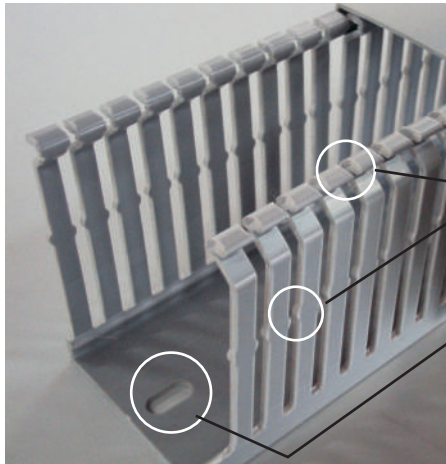


Formula for Calculating Fill Capacity

$$\text{Numbers of Wires} = \frac{\text{Duct W x H}}{1.75 \times (\text{Wire O.D.})^2} / 2$$

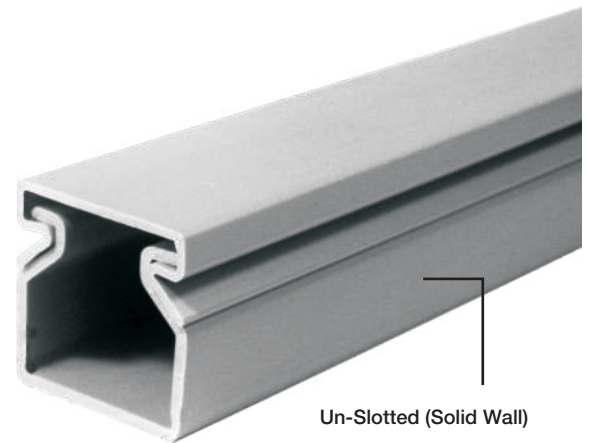


Duct Wire Calculator also available on website

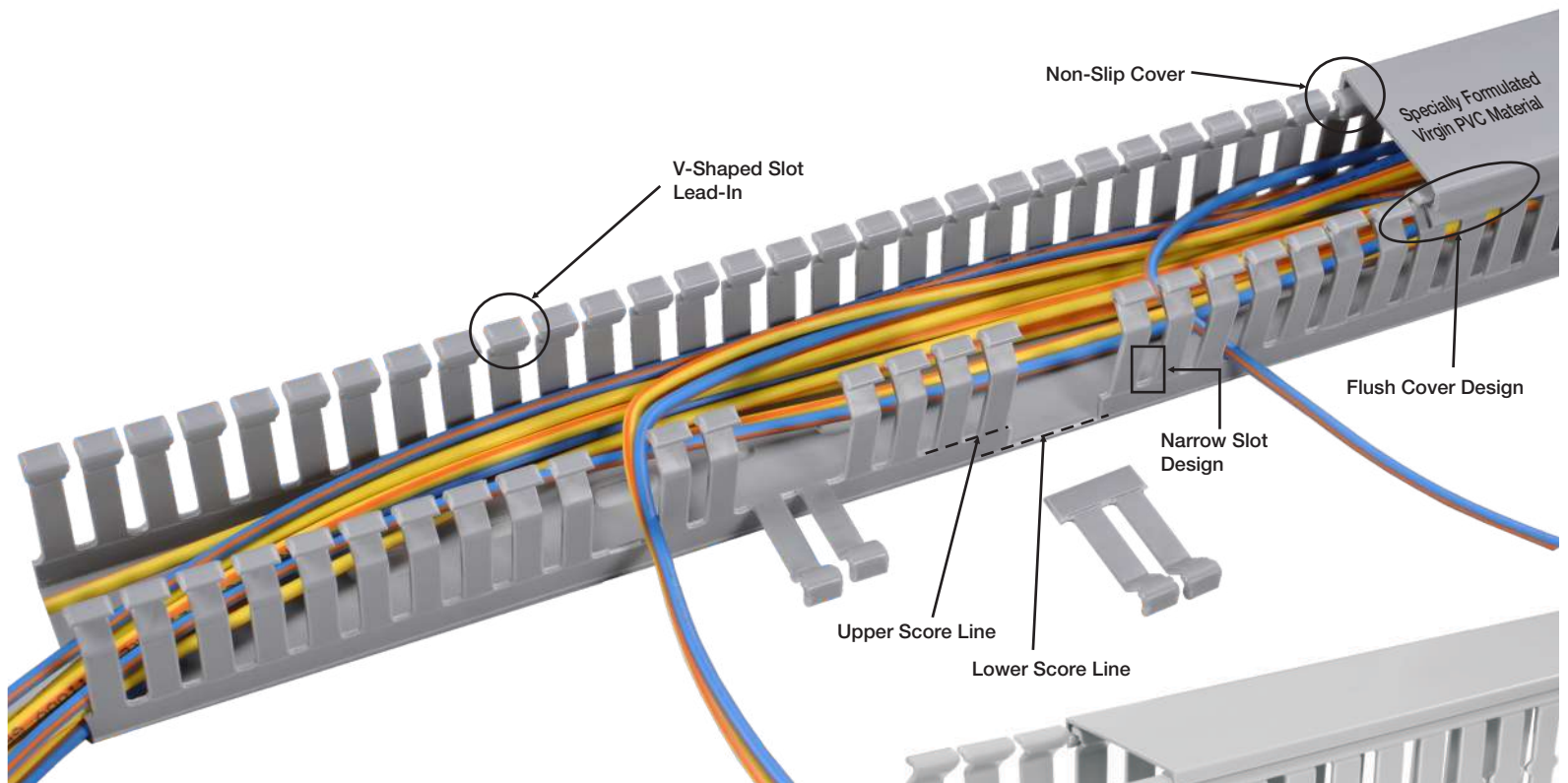


Double Restricted Slot

Mounting Hole Pattern According to DIN 43659



Un-Slotted (Solid Wall)



V-Shaped Slot Lead-In

Non-Slip Cover

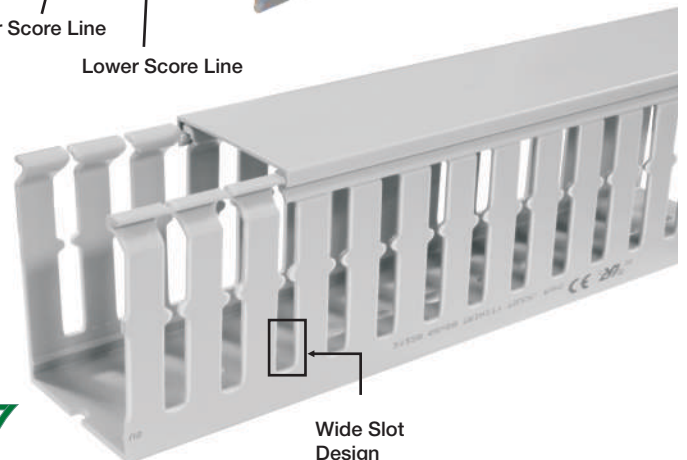
Specially Formulated Virgin PVC Material

Flush Cover Design

Narrow Slot Design

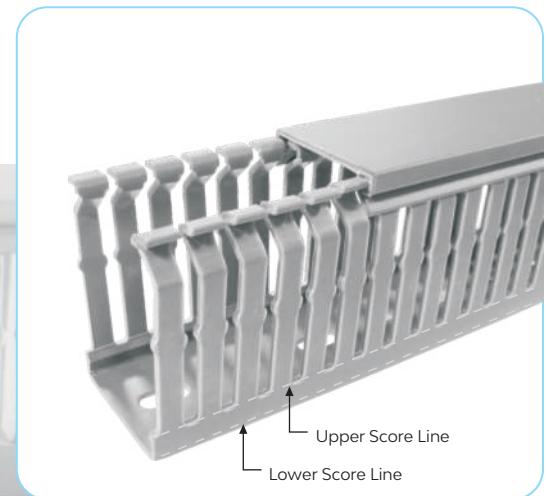
Upper Score Line

Lower Score Line



Wide Slot Design

Wiring Ducts - Narrow Slot

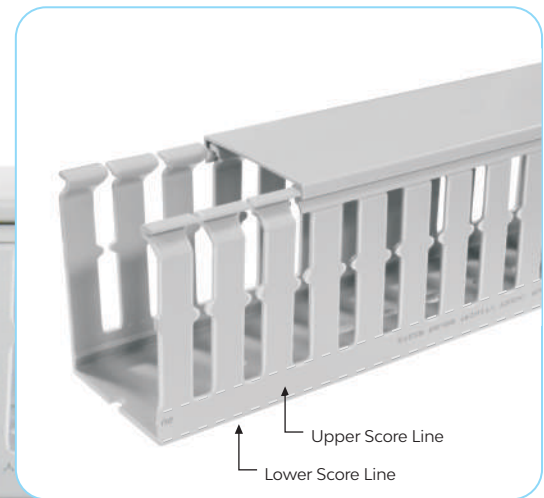


| SN | Article No. | Type | Description | Double Restricted Slot * | Duct Size WxH(mm) | Duct Size WxH(inch) | Meter/Box |
|----|---------------|----------------|--|--------------------------|-------------------|---------------------|-----------|
| 1 | 01 17 00653 | TWDN25X25LG2 | Wiring Duct Narrow Slot, Light Grey, 2 Meter | - | 25 x 25 | 0.98 x 0.98 | 120 |
| 2 | 01 17 06927 | TWDN25X30LG2 | Wiring Duct Narrow Slot, Light Grey, 2 Meter | - | 25 x 30 | 0.98 x 1.18 | 96 |
| 3 | 01 17 00629 | TWDN25X40LG2 | Wiring Duct Narrow Slot, Light Grey, 2 Meter | - | 25 x 40 | 0.98 x 1.57 | 96 |
| 4 | 01 17 01658 | TWDN25X45LG2 | Wiring Duct Narrow Slot, Light Grey, 2 Meter | - | 25 x 45 | 0.98 x 1.77 | 96 |
| 5 | 01 17 00657 | TWDN25X60LG2 | Wiring Duct Narrow Slot, Light Grey, 2 Meter | ✓ | 25 x 60 | 0.98 x 2.36 | 72 |
| 6 | 01 17 01660 | TWDN25X80LG2 | Wiring Duct Narrow Slot, Light Grey, 2 Meter | ✓ | 25 x 80 | 0.98 x 3.15 | 48 |
| 7 | 01 17 01656 | TWDN25X100LG2 | Wiring Duct Narrow Slot, Light Grey, 2 Meter | ✓ | 25 x 100 | 0.98 x 3.94 | 48 |
| 8 | 01 17 06930 | TWDN30X40LG2 | Wiring Duct Narrow Slot, Light Grey, 2 Meter | - | 30 x 40 | 1.18 x 1.57 | 80 |
| 9 | 01 17 00661 | TWDN30X80LG2 | Wiring Duct Narrow Slot, Light Grey, 2 Meter | ✓ | 30 x 80 | 1.18 x 3.15 | 40 |
| 10 | 01 17 06412 | TWDN40X25LG2 | Wiring Duct Narrow Slot, Light Grey, 2 Meter | - | 40 x 25 | 1.57 x 0.98 | 96 |
| 11 | 01 17 00633 | TWDN40X40LG2 | Wiring Duct Narrow Slot, Light Grey, 2 Meter | - | 40 x 40 | 1.57 x 1.57 | 64 |
| 12 | 01 17 00637 | TWDN40X60LG2 | Wiring Duct Narrow Slot, Light Grey, 2 Meter | ✓ | 40 x 60 | 1.57 x 2.36 | 48 |
| 13 | 01 17 00641 | TWDN40X80LG2 | Wiring Duct Narrow Slot, Light Grey, 2 Meter | ✓ | 40 x 80 | 1.57 x 3.15 | 32 |
| 14 | 01 17 00677 | TWDN40X100LG2 | Wiring Duct Narrow Slot, Light Grey, 2 Meter | ✓ | 40 x 100 | 1.57 x 3.94 | 32 |
| 15 | 01 17 01662 | TWDN45X45LG2 | Wiring Duct Narrow Slot, Light Grey, 2 Meter | - | 45 x 45 | 1.77 x 1.77 | 64 |
| 16 | 01 17 04070 | TWDN45X60LG2 | Wiring Duct Narrow Slot, Light Grey, 2 Meter | ✓ | 45 x 60 | 1.77 x 2.36 | 48 |
| 17 | 01 17 06415 | TWDN45X80LG2 | Wiring Duct Narrow Slot, Light Grey, 2 Meter | ✓ | 45 x 80 | 1.77 x 3.15 | 32 |
| 18 | 01 17 01664 | TWDN60X40LG2 | Wiring Duct Narrow Slot, Light Grey, 2 Meter | - | 60 x 40 | 2.36 x 1.57 | 36 |
| 19 | 01 17 05296 | TWDN60X45LG2 | Wiring Duct Narrow Slot, Light Grey, 2 Meter | - | 60 x 45 | 2.36 x 1.77 | 36 |
| 20 | 01 17 00645 | TWDN60X60LG2 | Wiring Duct Narrow Slot, Light Grey, 2 Meter | ✓ | 60 x 60 | 2.36 x 2.36 | 36 |
| 21 | 01 17 00649 | TWDN60X80LG2 | Wiring Duct Narrow Slot, Light Grey, 2 Meter | ✓ | 60 x 80 | 2.36 x 3.15 | 24 |
| 22 | 01 17 00669 | TWDN60X100LG2 | Wiring Duct Narrow Slot, Light Grey, 2 Meter | ✓ | 60 x 100 | 2.36 x 3.94 | 24 |
| 23 | # 01 17 16809 | TWDN75X75LG2 | Wiring Duct Narrow Slot, Light Grey, 2 Meter | ✓ | 75 x 75 | 2.95 x 2.95 | 16 |
| 24 | 01 17 01668 | TWDN80X40LG2 | Wiring Duct Narrow Slot, Light Grey, 2 Meter | - | 80 x 40 | 3.15 x 1.57 | 24 |
| 25 | 01 17 01670 | TWDN80X60LG2 | Wiring Duct Narrow Slot, Light Grey, 2 Meter | ✓ | 80 x 60 | 3.15 x 2.36 | 24 |
| 26 | 01 17 00665 | TWDN80X80LG2 | Wiring Duct Narrow Slot, Light Grey, 2 Meter | ✓ | 80 x 80 | 3.15 x 3.15 | 16 |
| 27 | 01 17 01666 | TWDN80X100LG2 | Wiring Duct Narrow Slot, Light Grey, 2 Meter | ✓ | 80 x 100 | 3.15 x 3.94 | 16 |
| 28 | 01 17 01654 | TWDN100X60LG2 | Wiring Duct Narrow Slot, Light Grey, 2 Meter | ✓ | 100 x 60 | 3.94 x 2.36 | 24 |
| 29 | 01 17 02678 | TWDN100X80LG2 | Wiring Duct Narrow Slot, Light Grey, 2 Meter | ✓ | 100 x 80 | 3.94 x 3.15 | 16 |
| 30 | 01 17 00673 | TWDN100X100LG2 | Wiring Duct Narrow Slot, Light Grey, 2 Meter | ✓ | 100 x 100 | 3.94 x 3.94 | 16 |
| 31 | 01 17 02680 | TWDN120X80LG2 | Wiring Duct Narrow Slot, Light Grey, 2 Meter | ✓ | 120 x 80 | 4.72 x 3.15 | 12 |
| 32 | # 01 17 05298 | TWDN150X100LG2 | Wiring Duct Narrow Slot, Light Grey, 2 Meter | ✓ | 150 x 100 | 5.90 x 3.94 | 8 |

Wiring Ducts also available in 1 meter with different colours.

UL and UKCA underprocess * See page no. 13

Wiring Ducts - Wide Slot



| SN | Article No. | Type | Description | Double Restricted Slot * | Duct Size WxH(mm) | Duct Size WxH(inch) | Meter/Box |
|----|---------------|----------------|--|--------------------------|-------------------|---------------------|-----------|
| 1 | 01 17 02585 | TWDW25X25LG2 | Wiring Duct Wide Slot, Light Grey, 2 Meter | – | 25 x 25 | 0.98 x 0.98 | 120 |
| 2 | 01 17 06928 | TWDW25X30LG2 | Wiring Duct Wide Slot, Light Grey, 2 Meter | – | 25 x 30 | 0.98 x 1.18 | 96 |
| 3 | 01 17 02586 | TWDW25X40LG2 | Wiring Duct Wide Slot, Light Grey, 2 Meter | – | 25 x 40 | 0.98 x 1.57 | 96 |
| 4 | 01 17 02587 | TWDW25X45LG2 | Wiring Duct Wide Slot, Light Grey, 2 Meter | – | 25 x 45 | 0.98 x 1.77 | 96 |
| 5 | 01 17 02588 | TWDW25X60LG2 | Wiring Duct Wide Slot, Light Grey, 2 Meter | ✓ | 25 x 60 | 0.98 x 2.36 | 72 |
| 6 | 01 17 02589 | TWDW25X80LG2 | Wiring Duct Wide Slot, Light Grey, 2 Meter | ✓ | 25 x 80 | 0.98 x 3.15 | 48 |
| 7 | 01 17 02590 | TWDW25X100LG2 | Wiring Duct Wide Slot, Light Grey, 2 Meter | ✓ | 25 x 100 | 0.98 x 3.94 | 48 |
| 8 | 01 17 06931 | TWDW30X40LG2 | Wiring Duct Wide Slot, Light Grey, 2 Meter | – | 30 x 40 | 1.18 x 1.57 | 80 |
| 9 | 01 17 02591 | TWDW30X80LG2 | Wiring Duct Wide Slot, Light Grey, 2 Meter | ✓ | 30 x 80 | 1.18 x 3.15 | 40 |
| 10 | 01 17 06512 | TWDW40X25LG2 | Wiring Duct Wide Slot, Light Grey, 2 Meter | – | 40 x 25 | 1.57 x 0.98 | 96 |
| 11 | 01 17 02592 | TWDW40X40LG2 | Wiring Duct Wide Slot, Light Grey, 2 Meter | – | 40 x 40 | 1.57 x 1.57 | 64 |
| 12 | 01 17 02593 | TWDW40X60LG2 | Wiring Duct Wide Slot, Light Grey, 2 Meter | ✓ | 40 x 60 | 1.57 x 2.36 | 48 |
| 13 | 01 17 02594 | TWDW40X80LG2 | Wiring Duct Wide Slot, Light Grey, 2 Meter | ✓ | 40 x 80 | 1.57 x 3.15 | 32 |
| 14 | 01 17 02595 | TWDW40X100LG2 | Wiring Duct Wide Slot, Light Grey, 2 Meter | ✓ | 40 x 100 | 1.57 x 3.94 | 32 |
| 15 | 01 17 02596 | TWDW45X45LG2 | Wiring Duct Wide Slot, Light Grey, 2 Meter | – | 45 x 45 | 1.77 x 1.77 | 64 |
| 16 | 01 17 04074 | TWDW45X60LG2 | Wiring Duct Wide Slot, Light Grey, 2 Meter | ✓ | 45 x 60 | 1.77 x 2.36 | 48 |
| 17 | 01 17 06510 | TWDW45X80LG2 | Wiring Duct Wide Slot, Light Grey, 2 Meter | ✓ | 45 x 80 | 1.77 x 3.15 | 32 |
| 18 | 01 17 02597 | TWDW60X40LG2 | Wiring Duct Wide Slot, Light Grey, 2 Meter | – | 60 x 40 | 2.36 x 1.57 | 36 |
| 19 | 01 17 05297 | TWDW60X45LG2 | Wiring Duct Wide Slot, Light Grey, 2 Meter | – | 60 x 45 | 2.36 x 1.77 | 36 |
| 20 | 01 17 02598 | TWDW60X60LG2 | Wiring Duct Wide Slot, Light Grey, 2 Meter | ✓ | 60 x 60 | 2.36 x 2.36 | 36 |
| 21 | 01 17 02599 | TWDW60X80LG2 | Wiring Duct Wide Slot, Light Grey, 2 Meter | ✓ | 60 x 80 | 2.36 x 3.15 | 24 |
| 22 | 01 17 02600 | TWDW60X100LG2 | Wiring Duct Wide Slot, Light Grey, 2 Meter | ✓ | 60 x 100 | 2.36 x 3.94 | 24 |
| 23 | # 01 17 16813 | TWDW75X75LG2 | Wiring Duct Wide Slot, Light Grey, 2 Meter | ✓ | 75 x 75 | 2.95 x 2.95 | 16 |
| 24 | 01 17 02601 | TWDW80X40LG2 | Wiring Duct Wide Slot, Light Grey, 2 Meter | – | 80 x 40 | 3.15 x 1.57 | 24 |
| 25 | 01 17 02602 | TWDW80X60LG2 | Wiring Duct Wide Slot, Light Grey, 2 Meter | ✓ | 80 x 60 | 3.15 x 2.36 | 24 |
| 26 | 01 17 02603 | TWDW80X80LG2 | Wiring Duct Wide Slot, Light Grey, 2 Meter | ✓ | 80 x 80 | 3.15 x 3.15 | 16 |
| 27 | 01 17 02604 | TWDW80X100LG2 | Wiring Duct Wide Slot, Light Grey, 2 Meter | ✓ | 80 x 100 | 3.15 x 3.94 | 16 |
| 28 | 01 17 02605 | TWDW100X60LG2 | Wiring Duct Wide Slot, Light Grey, 2 Meter | ✓ | 100 x 60 | 3.94 x 2.36 | 24 |
| 29 | 01 17 02682 | TWDW100X80LG2 | Wiring Duct Wide Slot, Light Grey, 2 Meter | ✓ | 100 x 80 | 3.94 x 3.15 | 16 |
| 30 | 01 17 02606 | TWDW100X100LG2 | Wiring Duct Wide Slot, Light Grey, 2 Meter | ✓ | 100 x 100 | 3.94 x 3.94 | 16 |
| 31 | 01 17 02684 | TWDW120X80LG2 | Wiring Duct Wide Slot, Light Grey, 2 Meter | ✓ | 120 x 80 | 4.72 x 3.15 | 12 |
| 32 | # 01 17 05307 | TWDW150X100LG2 | Wiring Duct Wide Slot, Light Grey, 2 Meter | ✓ | 150 x 100 | 5.90 x 3.94 | 8 |

Wiring Ducts also available in 1 meter with different colours.

* See page no. 13

UL and UKCA underprocess

Wiring Ducts - Un-Slotted (Solid Wall)



| SN | Article No. | Type | Description | Duct Size WxH(mm) | Duct Size WxH(inch) | Meter/Box |
|----|---------------|----------------|---|-------------------|---------------------|-----------|
| 1 | 01 17 00651 | TWDS25X25LG2 | Wiring Duct Solid Wall, Light Grey, 2 Meter | 25 x 25 | 0.98 x 0.98 | 120 |
| 2 | 01 17 06926 | TWDS25X30LG2 | Wiring Duct Solid Wall, Light Grey, 2 Meter | 25 x 30 | 0.98 x 1.18 | 96 |
| 3 | 01 17 00628 | TWDS25X40LG2 | Wiring Duct Solid Wall, Light Grey, 2 Meter | 25 x 40 | 0.98 x 1.57 | 96 |
| 4 | 01 17 01676 | TWDS25X45LG2 | Wiring Duct Solid Wall, Light Grey, 2 Meter | 25 x 45 | 0.98 x 1.77 | 96 |
| 5 | 01 17 00655 | TWDS25X60LG2 | Wiring Duct Solid Wall, Light Grey, 2 Meter | 25 x 60 | 0.98 x 2.36 | 72 |
| 6 | 01 17 01678 | TWDS25X80LG2 | Wiring Duct Solid Wall, Light Grey, 2 Meter | 25 x 80 | 0.98 x 3.15 | 48 |
| 7 | 01 17 01674 | TWDS25X100LG2 | Wiring Duct Solid Wall, Light Grey, 2 Meter | 25 x 100 | 0.98 x 3.94 | 48 |
| 8 | 01 17 06929 | TWDS30X40LG2 | Wiring Duct Solid Wall, Light Grey, 2 Meter | 30 x 40 | 1.18 x 1.57 | 80 |
| 9 | 01 17 00659 | TWDS30X80LG2 | Wiring Duct Solid Wall, Light Grey, 2 Meter | 30 x 80 | 1.18 x 3.15 | 40 |
| 10 | 01 17 06513 | TWDS40X25LG2 | Wiring Duct Solid Wall, Light Grey, 2 Meter | 40 x 25 | 1.57 x 0.98 | 96 |
| 11 | 01 17 00631 | TWDS40X40LG2 | Wiring Duct Solid Wall, Light Grey, 2 Meter | 40 x 40 | 1.57 x 1.57 | 64 |
| 12 | 01 17 00635 | TWDS40X60LG2 | Wiring Duct Solid Wall, Light Grey, 2 Meter | 40 x 60 | 1.57 x 2.36 | 48 |
| 13 | 01 17 00639 | TWDS40X80LG2 | Wiring Duct Solid Wall, Light Grey, 2 Meter | 40 x 80 | 1.57 x 3.15 | 32 |
| 14 | 01 17 00675 | TWDS40X100LG2 | Wiring Duct Solid Wall, Light Grey, 2 Meter | 40 x 100 | 1.57 x 3.94 | 32 |
| 15 | 01 17 01680 | TWDS45X45LG2 | Wiring Duct Solid Wall, Light Grey, 2 Meter | 45 x 45 | 1.77 x 1.77 | 64 |
| 16 | 01 17 04072 | TWDS45X60LG2 | Wiring Duct Solid Wall, Light Grey, 2 Meter | 45 x 60 | 1.77 x 2.36 | 48 |
| 17 | 01 17 06511 | TWDS45X80LG2 | Wiring Duct Solid Wall, Light Grey, 2 Meter | 45 x 80 | 1.77 x 3.15 | 32 |
| 18 | 01 17 01682 | TWDS60X40LG2 | Wiring Duct Solid Wall, Light Grey, 2 Meter | 60 x 40 | 2.36 x 1.57 | 36 |
| 19 | 01 17 05306 | TWDS60X45LG2 | Wiring Duct Solid Wall, Light Grey, 2 Meter | 60 x 45 | 2.36 x 1.77 | 36 |
| 20 | 01 17 00643 | TWDS60X60LG2 | Wiring Duct Solid Wall, Light Grey, 2 Meter | 60 x 60 | 2.36 x 2.36 | 36 |
| 21 | 01 17 00647 | TWDS60X80LG2 | Wiring Duct Solid Wall, Light Grey, 2 Meter | 60 x 80 | 2.36 x 3.15 | 24 |
| 22 | 01 17 00667 | TWDS60X100LG2 | Wiring Duct Solid Wall, Light Grey, 2 Meter | 60 x 100 | 2.36 x 3.94 | 24 |
| 23 | 01 17 01686 | TWDS80X40LG2 | Wiring Duct Solid Wall, Light Grey, 2 Meter | 80 x 40 | 3.15 x 1.57 | 24 |
| 24 | 01 17 01688 | TWDS80X60LG2 | Wiring Duct Solid Wall, Light Grey, 2 Meter | 80 x 60 | 3.15 x 2.36 | 24 |
| 25 | 01 17 00663 | TWDS80X80LG2 | Wiring Duct Solid Wall, Light Grey, 2 Meter | 80 x 80 | 3.15 x 3.15 | 16 |
| 26 | 01 17 01684 | TWDS80X100LG2 | Wiring Duct Solid Wall, Light Grey, 2 Meter | 80 x 100 | 3.15 x 3.94 | 16 |
| 27 | 01 17 01672 | TWDS100X60LG2 | Wiring Duct Solid Wall, Light Grey, 2 Meter | 100 x 60 | 3.94 x 2.36 | 24 |
| 28 | 01 17 02734 | TWDS100X80LG2 | Wiring Duct Solid Wall, Light Grey, 2 Meter | 100 x 80 | 3.94 x 3.15 | 16 |
| 29 | 01 17 00671 | TWDS100X100LG2 | Wiring Duct Solid Wall, Light Grey, 2 Meter | 100 x 100 | 3.94 x 3.94 | 16 |
| 30 | 01 17 02735 | TWDS120X80LG2 | Wiring Duct Solid Wall, Light Grey, 2 Meter | 120 x 80 | 4.72 x 3.15 | 12 |
| 31 | # 01 17 05308 | TWDS150X100LG2 | Wiring Duct Solid Wall, Light Grey, 2 Meter | 150 x 100 | 5.90 x 3.94 | 8 |

Wiring Ducts also available in 1 meter with different colours.

UL and UKCA underprocess

Typical Raw Material Properties of PVC Wiring Ducts

| Property | Units | ASTM Test | Test Value |
|------------------------------------|----------|-----------|---------------------|
| Specific Gravity | ... | D792 | 1.43 |
| IZOD Impact Strength | Kg.cm/cm | D256 | 7.5 |
| Flexural Strength | Psi | D790 | 10900 |
| Flexural Module | Psi | D790 | 382000 |
| Tensile Strength | Psi | D638 | 5500 |
| Compressive Strength | Psi | D695 | 8600 |
| Water Absorption | 24Hrs-% | D570 | 0.1 |
| Hardness | Shore D | D785 | 78D |
| Dielectric Strength 50Hz, 25°C,s/t | Kv/mm | D149 | 36 |
| Volume Resistivity | Ohm-cm | D257 | 6.1X10 ¹ |
| Heat Deflecting °F @ 264 psi | °F | D648 | Up to 158 (70°C) |
| UL 94 - Flammability | ... | ... | V0 RoHS |

For guidance only

Subject to change in the interest of technical progress

Application Area



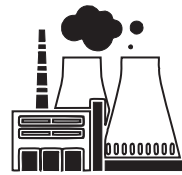
Cabinet Building



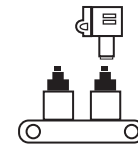
Telecom Industry



Wind Industry



Power Industry



Process Industry

Notes

New in this brochure :

- New sizes 75x75 (WxH) in PVC wiring ducts.

Wiring Ducts - Halogen Free



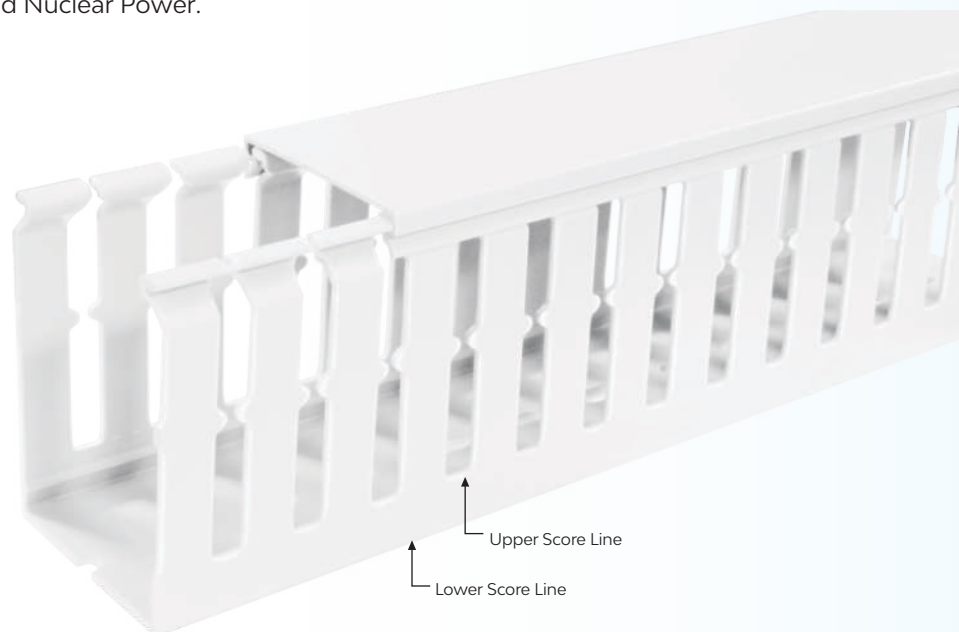
Halogen Free for Highest Safety
Maximum reliability for sensitive environment

Why change from Polyvinyl Chloride (PVC) to Low Smoke Zero Halogen (LSZH) products?

When PVC or other traditional plastics ignite in a fire, they emit corrosive & toxic gases like Chlorine. Moreover, these are soluble in moisture, forming Hydrochloric acid, which destroy electronics, semiconductors and intrinsic electrical circuits. While smoke travels containing toxic element, it can be fatally hazardous to humans if they cannot escape from that area. Toxic fumes are not only a serious health risk but also cause serious damage and problems to crucial machineries and intrinsic devices.

Halogen Free wires and cables are already compulsory in many areas as they are safer. In the same way, Halogen free wiring duct is most important within enclosed spaces where the exits are limited; such as Public Transport, Hospitals, Malls etc. What is the use of Halogen free cables if the wiring ducts contain dangerous material?

For example: Hospitals, Airport Terminals, Concert Halls, Sports Stadiums, Railway Stations, Ships, Offshore Oil and Gas platforms, Multistory Buildings and Nuclear Power.



Wide Acceptability

Trinity Touch halogen free wiring ducts are outstanding not only for high quality standards and superior technical characteristics. But also, for the variety of models and proven easy installation.

LSZH material properties - Unique PC/ABS blend

Our halogen free wiring ducts are made from a special purpose LSZH and flame retardant PC/ABS blend containing **NO Bromide, NO Chlorine and NO Fluorine**. It still offers high impact strength and excellent characteristics used for higher temperature applications. These are in compliance with Standard VDE 0472/815 for wiring ducts.

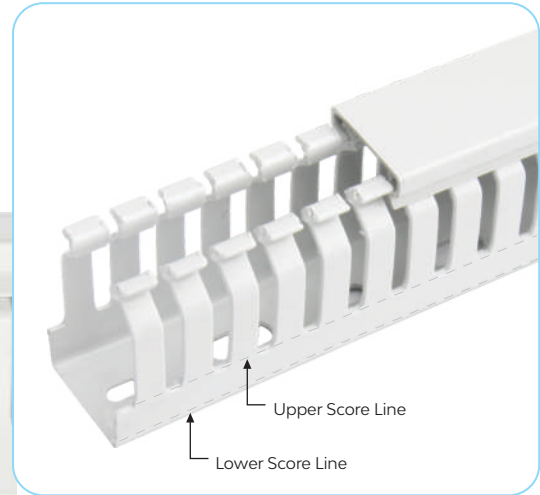
LSZH material also has characteristics of self extinguishing, UL94 flammability rating of V-0 for continuous use temperatures up to 203°F (95°C), it is RoHS (Lead Free) compliant, environmentally safe and is 20% lighter than PVC.

Our LSZH material is resistance to abnormal heat and fire. it has proven dimensional stability between -40 and +100 °C. The halogen free wiring ducts are manufactured in compliance with the Standard EN 50085-2-3. Ideal for application where public safety during a fire is a concern.

Conform to : EN 50085 -2 -3, UL-94V0, RoHS, DIN 43659

Colour : Light Grey (RAL 7035), Blue (RAL 5015).

Wiring Ducts Halogen Free-Narrow Slot



| SN | Article No. | Type | Description | Double Restricted Slot * | Duct Size WxH(mm) | Duct Size WxH(inch) | Meter/Box |
|----|-------------|---------------|--|--------------------------|-------------------|---------------------|-----------|
| 1 | 01 17 06680 | HF25X25SG2N | Halogen Free Narrow Slot, Silver Grey, 2 Meter | - | 25 x 25 | 0.98 x 0.98 | 120 |
| 2 | 01 17 03447 | HF25X40SG2N | Halogen Free Narrow Slot, Silver Grey, 2 Meter | - | 25 x 40 | 0.98 x 1.18 | 96 |
| 3 | 01 17 06681 | HF25X60SG2N | Halogen Free Narrow Slot, Silver Grey, 2 Meter | ✓ | 25 x 60 | 0.98 x 1.57 | 72 |
| 4 | 01 17 05299 | HF25X80SG2N | Halogen Free Narrow Slot, Silver Grey, 2 Meter | ✓ | 25 x 80 | 0.98 x 1.77 | 48 |
| 5 | 01 17 06407 | HF30X40SG2N | Halogen Free Narrow Slot, Silver Grey, 2 Meter | - | 30 x 40 | 0.98 x 2.36 | 80 |
| 6 | 01 17 06408 | HF30X60SG2N | Halogen Free Narrow Slot, Silver Grey, 2 Meter | ✓ | 30 x 60 | 0.98 x 3.15 | 60 |
| 7 | 01 17 06682 | HF30X80SG2N | Halogen Free Narrow Slot, Silver Grey, 2 Meter | ✓ | 30 x 80 | 0.98 x 3.94 | 40 |
| 8 | 01 17 06683 | HF30X100SG2N | Halogen Free Narrow Slot, Silver Grey, 2 Meter | ✓ | 30 x 100 | 1.18 x 1.57 | 40 |
| 9 | 01 17 06409 | HF40X30SG2N | Halogen Free Narrow Slot, Silver Grey, 2 Meter | - | 40 x 30 | 1.18 x 3.15 | 64 |
| 10 | 01 17 03438 | HF40X40SG2N | Halogen Free Narrow Slot, Silver Grey, 2 Meter | - | 40 x 40 | 1.57 x 0.98 | 64 |
| 11 | 01 17 05240 | HF40X60SG2N | Halogen Free Narrow Slot, Silver Grey, 2 Meter | ✓ | 40 x 60 | 1.57 x 1.57 | 48 |
| 12 | 01 17 03465 | HF40X80SG2N | Halogen Free Narrow Slot, Silver Grey, 2 Meter | ✓ | 40 x 80 | 1.57 x 2.36 | 32 |
| 13 | 01 17 03456 | HF40X100SG2N | Halogen Free Narrow Slot, Silver Grey, 2 Meter | ✓ | 40 x 100 | 1.57 x 3.15 | 32 |
| 14 | 01 17 06684 | HF60X40SG2N | Halogen Free Narrow Slot, Silver Grey, 2 Meter | - | 60 x 40 | 1.57 x 3.94 | 36 |
| 15 | 01 17 06685 | HF60X60SG2N | Halogen Free Narrow Slot, Silver Grey, 2 Meter | ✓ | 60 x 60 | 1.77 x 1.77 | 36 |
| 16 | 01 17 03487 | HF60X80SG2N | Halogen Free Narrow Slot, Silver Grey, 2 Meter | ✓ | 60 x 80 | 1.77 x 2.36 | 24 |
| 17 | 01 17 03496 | HF60X100SG2N | Halogen Free Narrow Slot, Silver Grey, 2 Meter | ✓ | 60 x 100 | 1.77 x 3.15 | 24 |
| 18 | 01 17 06686 | HF80X25SG2N | Halogen Free Narrow Slot, Silver Grey, 2 Meter | - | 80 x 25 | 2.36 x 1.57 | 24 |
| 19 | 01 17 06687 | HF80X40SG2N | Halogen Free Narrow Slot, Silver Grey, 2 Meter | - | 80 x 40 | 2.36 x 1.77 | 24 |
| 20 | 01 17 06688 | HF80X60SG2N | Halogen Free Narrow Slot, Silver Grey, 2 Meter | ✓ | 80 x 60 | 2.36 x 2.36 | 24 |
| 21 | 01 17 03474 | HF80X80SG2N | Halogen Free Narrow Slot, Silver Grey, 2 Meter | ✓ | 80 x 80 | 2.36 x 3.15 | 16 |
| 22 | 01 17 03505 | HF80X100SG2N | Halogen Free Narrow Slot, Silver Grey, 2 Meter | ✓ | 80 x 100 | 2.36 x 3.94 | 16 |
| 23 | 01 17 06689 | HF100X40SG2N | Halogen Free Narrow Slot, Silver Grey, 2 Meter | - | 100 x 40 | 3.15 x 1.57 | 24 |
| 24 | 01 17 06690 | HF100X60SG2N | Halogen Free Narrow Slot, Silver Grey, 2 Meter | ✓ | 100 x 60 | 3.15 x 2.36 | 24 |
| 25 | 01 17 06691 | HF100X80SG2N | Halogen Free Narrow Slot, Silver Grey, 2 Meter | ✓ | 100 x 80 | 3.15 x 3.15 | 16 |
| 26 | 01 17 03514 | HF100X100SG2N | Halogen Free Narrow Slot, Silver Grey, 2 Meter | ✓ | 100 x 100 | 3.15 x 3.94 | 16 |
| 27 | 01 17 06693 | HF120X60SG2N | Halogen Free Narrow Slot, Silver Grey, 2 Meter | ✓ | 120 x 60 | 3.94 x 2.36 | 12 |
| 28 | 01 17 06692 | HF120X80SG2N | Halogen Free Narrow Slot, Silver Grey, 2 Meter | ✓ | 120 x 80 | 3.94 x 3.15 | 12 |

Wiring Ducts also available in 1 meter with different colours.

Wiring Ducts Halogen Free-Wide Slot



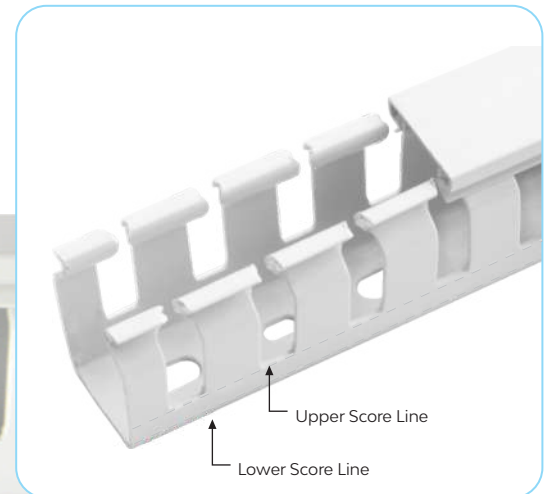
REACH
CERTIFIED



RoHS



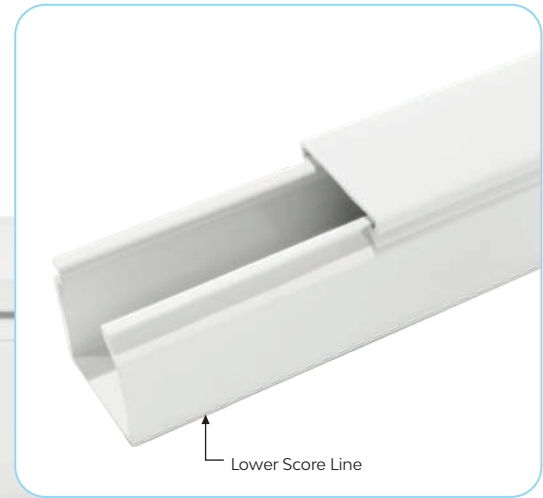
UK
CA



| SN | Article No. | Type | Description | Double Restricted Slot * | Duct Size WxH(mm) | Duct Size WxH(inch) | Meter/Box |
|----|-------------|---------------|--|--------------------------|-------------------|---------------------|-----------|
| 1 | 01 17 06946 | HF25X25SG2W | Halogen Free Wide Slot, Silver Grey, 2 Meter | – | 25 x 25 | 0.98 x 0.98 | 120 |
| 2 | 01 17 03449 | HF25X40SG2W | Halogen Free Wide Slot, Silver Grey, 2 Meter | – | 25 x 40 | 0.98 x 1.18 | 96 |
| 3 | 01 17 06947 | HF25X60SG2W | Halogen Free Wide Slot, Silver Grey, 2 Meter | ✓ | 25 x 60 | 0.98 x 1.57 | 72 |
| 4 | 01 17 05300 | HF25X80SG2W | Halogen Free Wide Slot, Silver Grey, 2 Meter | ✓ | 25 x 80 | 0.98 x 1.77 | 48 |
| 5 | 01 17 06514 | HF30X40SG2W | Halogen Free Wide Slot, Silver Grey, 2 Meter | – | 30 x 40 | 0.98 x 2.36 | 80 |
| 6 | 01 17 06518 | HF30X60SG2W | Halogen Free Wide Slot, Silver Grey, 2 Meter | ✓ | 30 x 60 | 0.98 x 3.15 | 60 |
| 7 | 01 17 06948 | HF30X80SG2W | Halogen Free Wide Slot, Silver Grey, 2 Meter | ✓ | 30 x 80 | 0.98 x 3.94 | 40 |
| 8 | 01 17 06949 | HF30X100SG2W | Halogen Free Wide Slot, Silver Grey, 2 Meter | ✓ | 30 x 100 | 1.18 x 1.57 | 40 |
| 9 | 01 17 06516 | HF40X30SG2W | Halogen Free Wide Slot, Silver Grey, 2 Meter | – | 40 x 30 | 1.18 x 3.15 | 64 |
| 10 | 01 17 03440 | HF40X40SG2W | Halogen Free Wide Slot, Silver Grey, 2 Meter | – | 40 x 40 | 1.57 x 0.98 | 64 |
| 11 | 01 17 05302 | HF40X60SG2W | Halogen Free Wide Slot, Silver Grey, 2 Meter | ✓ | 40 x 60 | 1.57 x 1.57 | 48 |
| 12 | 01 17 03467 | HF40X80SG2W | Halogen Free Wide Slot, Silver Grey, 2 Meter | ✓ | 40 x 80 | 1.57 x 2.36 | 32 |
| 13 | 01 17 03458 | HF40X100SG2W | Halogen Free Wide Slot, Silver Grey, 2 Meter | ✓ | 40 x 100 | 1.57 x 3.15 | 32 |
| 14 | 01 17 06950 | HF60X40SG2W | Halogen Free Wide Slot, Silver Grey, 2 Meter | – | 60 x 40 | 1.57 x 3.94 | 36 |
| 15 | 01 17 06951 | HF60X60SG2W | Halogen Free Wide Slot, Silver Grey, 2 Meter | ✓ | 60 x 60 | 1.77 x 1.77 | 36 |
| 16 | 01 17 03489 | HF60X80SG2W | Halogen Free Wide Slot, Silver Grey, 2 Meter | ✓ | 60 x 80 | 1.77 x 2.36 | 24 |
| 17 | 01 17 03498 | HF60X100SG2W | Halogen Free Wide Slot, Silver Grey, 2 Meter | ✓ | 60 x 100 | 1.77 x 3.15 | 24 |
| 18 | 01 17 06952 | HF80X25SG2W | Halogen Free Wide Slot, Silver Grey, 2 Meter | – | 80 x 25 | 2.36 x 1.57 | 24 |
| 19 | 01 17 06953 | HF80X40SG2W | Halogen Free Wide Slot, Silver Grey, 2 Meter | – | 80 x 40 | 2.36 x 1.77 | 24 |
| 20 | 01 17 06954 | HF80X60SG2W | Halogen Free Wide Slot, Silver Grey, 2 Meter | ✓ | 80 x 60 | 2.36 x 2.36 | 24 |
| 21 | 01 17 03476 | HF80X80SG2W | Halogen Free Wide Slot, Silver Grey, 2 Meter | ✓ | 80 x 80 | 2.36 x 3.15 | 16 |
| 22 | 01 17 03507 | HF80X100SG2W | Halogen Free Wide Slot, Silver Grey, 2 Meter | ✓ | 80 x 100 | 2.36 x 3.94 | 16 |
| 23 | 01 17 06955 | HF100X40SG2W | Halogen Free Wide Slot, Silver Grey, 2 Meter | – | 100 x 40 | 3.15 x 1.57 | 24 |
| 24 | 01 17 06956 | HF100X60SG2W | Halogen Free Wide Slot, Silver Grey, 2 Meter | ✓ | 100 x 60 | 3.15 x 2.36 | 24 |
| 25 | 01 17 06957 | HF100X80SG2W | Halogen Free Wide Slot, Silver Grey, 2 Meter | ✓ | 100 x 80 | 3.15 x 3.15 | 16 |
| 26 | 01 17 03516 | HF100X100SG2W | Halogen Free Wide Slot, Silver Grey, 2 Meter | ✓ | 100 x 100 | 3.15 x 3.94 | 16 |
| 27 | 01 17 06958 | HF120X60SG2W | Halogen Free Wide Slot, Silver Grey, 2 Meter | ✓ | 120 x 60 | 3.94 x 2.36 | 12 |
| 28 | 01 17 06959 | HF120X80SG2W | Halogen Free Wide Slot, Silver Grey, 2 Meter | ✓ | 120 x 80 | 3.94 x 3.15 | 12 |

* See page no. 13

Wiring Ducts Halogen Free-Un-Slotted (Solid Wall)



| SN | Article No. | Type | Description | Duct Size WxH(mm) | Duct Size WxH(inch) | Meter/Box |
|----|-------------|---------------|---|-------------------|---------------------|-----------|
| 1 | 01 17 06932 | HF25X25SG2S | Halogen Free Solid Wall, Silver Grey, 2 Meter | 25 x 25 | 0.98 x 0.98 | 120 |
| 2 | 01 17 03448 | HF25X40SG2S | Halogen Free Solid Wall, Silver Grey, 2 Meter | 25 x 40 | 0.98 x 1.18 | 96 |
| 3 | 01 17 06933 | HF25X60SG2S | Halogen Free Solid Wall, Silver Grey, 2 Meter | 25 x 60 | 0.98 x 1.57 | 72 |
| 4 | 01 17 05301 | HF25X80SG2S | Halogen Free Solid Wall, Silver Grey, 2 Meter | 25 x 80 | 0.98 x 1.77 | 48 |
| 5 | 01 17 06515 | HF30X40SG2S | Halogen Free Solid Wall, Silver Grey, 2 Meter | 30 x 40 | 0.98 x 2.36 | 80 |
| 6 | 01 17 06519 | HF30X60SG2S | Halogen Free Solid Wall, Silver Grey, 2 Meter | 30 x 60 | 0.98 x 3.15 | 60 |
| 7 | 01 17 06934 | HF30X80SG2S | Halogen Free Solid Wall, Silver Grey, 2 Meter | 30 x 80 | 0.98 x 3.94 | 40 |
| 8 | 01 17 06935 | HF30X100SG2S | Halogen Free Solid Wall, Silver Grey, 2 Meter | 30 x 100 | 1.18 x 1.57 | 40 |
| 9 | 01 17 06517 | HF40X30SG2S | Halogen Free Solid Wall, Silver Grey, 2 Meter | 40 x 30 | 1.18 x 3.15 | 64 |
| 10 | 01 17 03439 | HF40X40SG2S | Halogen Free Solid Wall, Silver Grey, 2 Meter | 40 x 40 | 1.57 x 0.98 | 64 |
| 11 | 01 17 05303 | HF40X60SG2S | Halogen Free Solid Wall, Silver Grey, 2 Meter | 40 x 60 | 1.57 x 1.57 | 48 |
| 12 | 01 17 03466 | HF40X80SG2S | Halogen Free Solid Wall, Silver Grey, 2 Meter | 40 x 80 | 1.57 x 2.36 | 32 |
| 13 | 01 17 03457 | HF40X100SG2S | Halogen Free Solid Wall, Silver Grey, 2 Meter | 40 x 100 | 1.57 x 3.15 | 32 |
| 14 | 01 17 06936 | HF60X40SG2S | Halogen Free Solid Wall, Silver Grey, 2 Meter | 60 x 40 | 1.57 x 3.94 | 36 |
| 15 | 01 17 06937 | HF60X60SG2S | Halogen Free Solid Wall, Silver Grey, 2 Meter | 60 x 60 | 1.77 x 1.77 | 36 |
| 16 | 01 17 03488 | HF60X80SG2S | Halogen Free Solid Wall, Silver Grey, 2 Meter | 60 x 80 | 1.77 x 2.36 | 24 |
| 17 | 01 17 03497 | HF60X100SG2S | Halogen Free Solid Wall, Silver Grey, 2 Meter | 60 x 100 | 1.77 x 3.15 | 24 |
| 18 | 01 17 06938 | HF80X25SG2S | Halogen Free Solid Wall, Silver Grey, 2 Meter | 80 x 25 | 2.36 x 1.57 | 24 |
| 19 | 01 17 06939 | HF80X40SG2S | Halogen Free Solid Wall, Silver Grey, 2 Meter | 80 x 40 | 2.36 x 1.77 | 24 |
| 20 | 01 17 06940 | HF80X60SG2S | Halogen Free Solid Wall, Silver Grey, 2 Meter | 80 x 60 | 2.36 x 2.36 | 24 |
| 21 | 01 17 03475 | HF80X80SG2S | Halogen Free Solid Wall, Silver Grey, 2 Meter | 80 x 80 | 2.36 x 3.15 | 16 |
| 22 | 01 17 03506 | HF80X100SG2S | Halogen Free Solid Wall, Silver Grey, 2 Meter | 80 x 100 | 2.36 x 3.94 | 16 |
| 23 | 01 17 06941 | HF100X40SG2S | Halogen Free Solid Wall, Silver Grey, 2 Meter | 100 x 40 | 3.15 x 1.57 | 24 |
| 24 | 01 17 06942 | HF100X60SG2S | Halogen Free Solid Wall, Silver Grey, 2 Meter | 100 x 60 | 3.15 x 2.36 | 24 |
| 25 | 01 17 06943 | HF100X80SG2S | Halogen Free Solid Wall, Silver Grey, 2 Meter | 100 x 80 | 3.15 x 3.15 | 16 |
| 26 | 01 17 03515 | HF100X100SG2S | Halogen Free Solid Wall, Silver Grey, 2 Meter | 100 x 100 | 3.15 x 3.94 | 16 |
| 27 | 01 17 06944 | HF120X60SG2S | Halogen Free Solid Wall, Silver Grey, 2 Meter | 120 x 60 | 3.94 x 2.36 | 12 |
| 28 | 01 17 06945 | HF120X80SG2S | Halogen Free Solid Wall, Silver Grey, 2 Meter | 120 x 80 | 3.94 x 3.15 | 12 |

Typical Raw Material Properties of Halogen Free Wiring Ducts

| Property | Units | ASTM Test | Test Value |
|---------------------------------|-----------|-------------|------------------|
| Specific Gravity | ... | D792 | 1.2 |
| IZOD Impact Strength | cm-kgf/cm | D256 | 70 |
| Flexural Strength | psi | D790 | 12800 |
| Flexural Module | psi | D790 | 360000 |
| Tensile Strength | psi | D638 | 7800 |
| Compressive Strength | psi | D695 | 16000 |
| Water Absorption, (23°C/Sat) | % | D570 | 0.6 |
| Hardness | Rockwell | ISO 2039-2 | 124 |
| Dielectric Strength 50Hz, 25°C | KV/mm | D149 | 400 |
| Dielectric Constant, Dry | ... | D150 | 2.65 |
| HDT | °C | D648 | 100°C |
| Vicat Softening Temp. | °C | ASTM D 1525 | 110°C |
| Flammability | ... | UL-94 | V0 |
| Oxygen Index | % | ISO 4589-2 | 37 |
| Ambient Temperature (Operation) | °C | ... | (-25°C to +90°C) |

For guidance only

Subject to change in the interest of technical progress.



Halogen Free Wiring Ducts in Blue Color

REACH CERTIFIED   

Stock Available



Narrow Slot

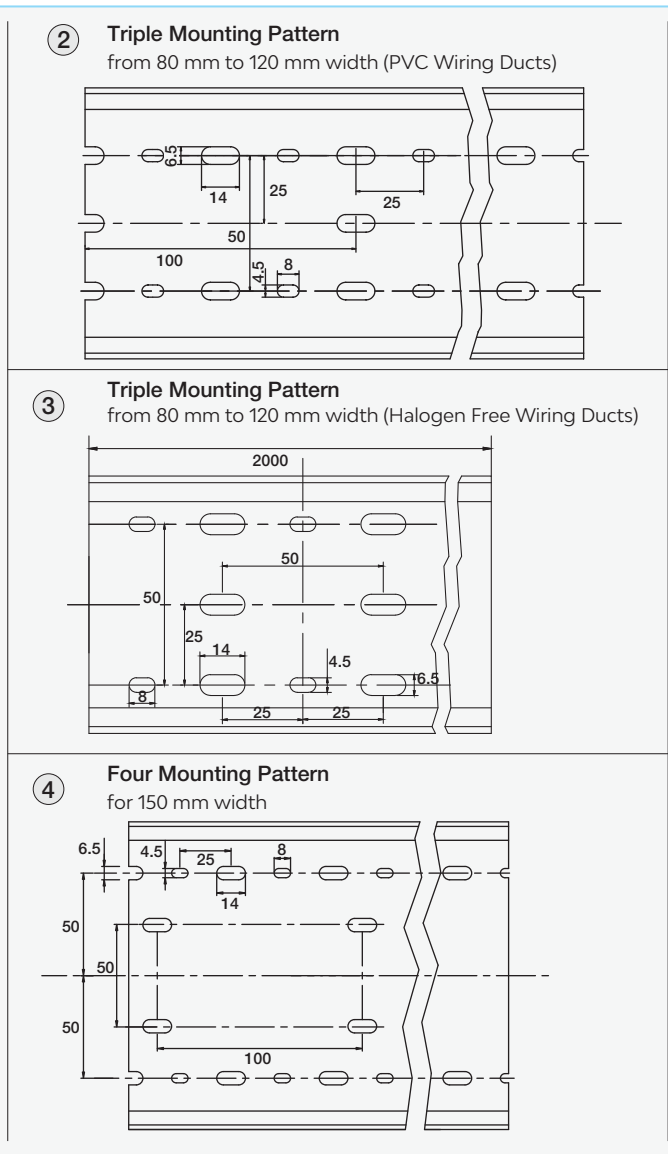
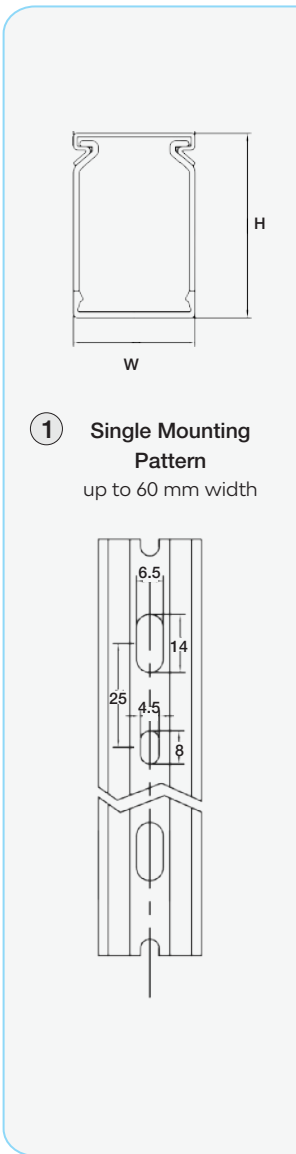
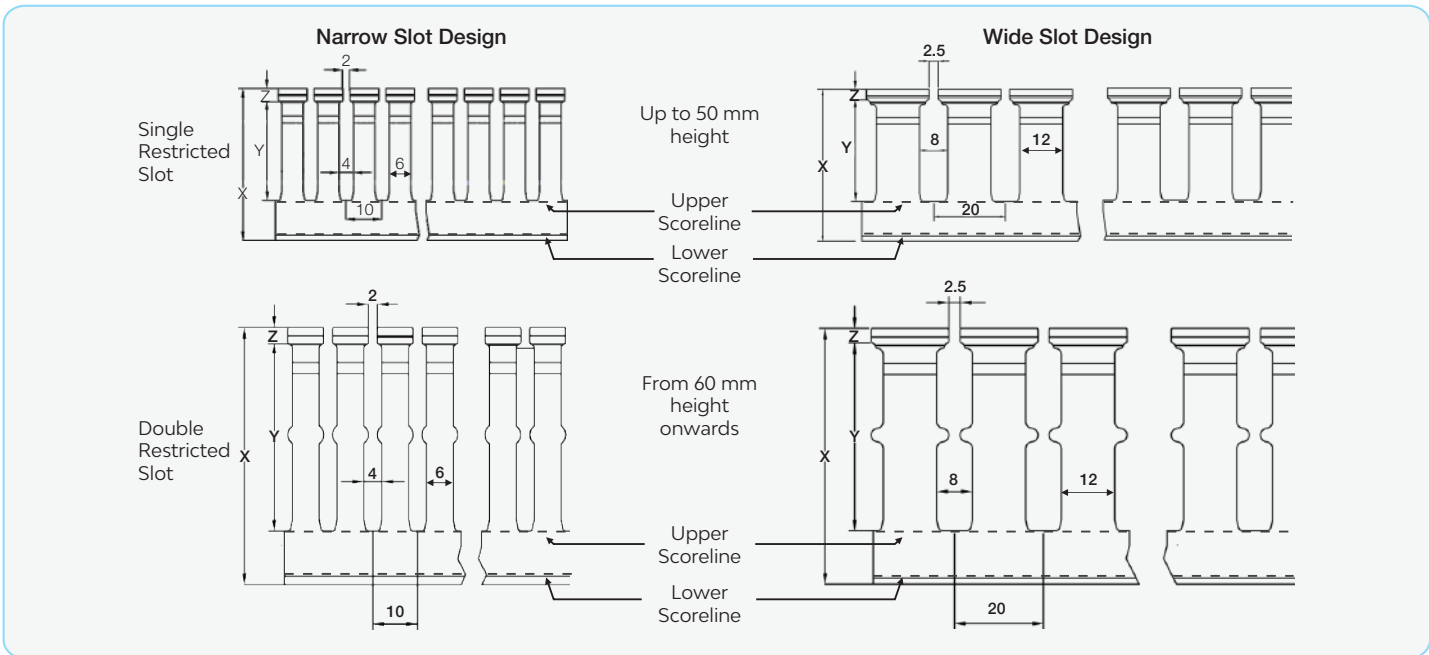


Wide Slot



Un-slotted (Solid Wall)

Technical Information



| Nominal Duct Size (mm) | | Dimensions (mm) | | | | |
|------------------------|------------|-----------------|-----|-------|-------|------|
| W (Width) | H (Height) | T (Thickness) | | X | Y | Z |
| | | PVC | HF | | | |
| 25 | 25 | 1.6 | 1.5 | 22.20 | 11.80 | 3.40 |
| 25 | 30 | 1.5 | NA | 27.30 | 16.80 | 3.50 |
| 25 | 40 | 1.6 | 1.6 | 37.20 | 23.30 | 3.40 |
| 25 | 45 | 1.6 | NA | 42.20 | 27.80 | 3.40 |
| 25 | 60 | 1.9 | 1.5 | 57.50 | 42.20 | 3.30 |
| 25 | 80 | 2.2 | 1.8 | 77.80 | 61.00 | 3.30 |
| 25 | 100 | 2.1 | 2.1 | 98.00 | 79.00 | 3.90 |
| 30 | 40 | 1.5 | 1.6 | 37.20 | 22.90 | 3.50 |
| 30 | 60 | NA | 1.6 | 57.50 | 45.40 | 3.30 |
| 30 | 80 | 2.2 | 1.7 | 77.80 | 61.00 | 3.30 |
| 30 | 100 | NA | 1.9 | 97.50 | 78.60 | 3.90 |
| 40 | 25 | 1.6 | NA | 22.20 | 11.40 | 3.40 |
| 40 | 30 | NA | 1.5 | 16.40 | 27.20 | 3.30 |
| 40 | 40 | 1.6 | 1.6 | 37.20 | 23.30 | 3.40 |
| 40 | 60 | 1.9 | 1.7 | 57.50 | 42.20 | 3.30 |
| 40 | 80 | 2.2 | 1.7 | 77.80 | 61.00 | 3.30 |
| 40 | 100 | 2.4 | 2 | 98.00 | 79.00 | 3.90 |
| 45 | 45 | 1.6 | NA | 42.20 | 27.80 | 3.40 |
| 45 | 60 | 1.9 | NA | 57.50 | 42.20 | 3.30 |
| 45 | 80 | 2.2 | NA | 77.40 | 61.00 | 3.30 |
| 60 | 40 | 1.6 | 1.5 | 37.20 | 23.30 | 3.40 |
| 60 | 45 | 1.6 | NA | 42.20 | 27.80 | 3.40 |
| 60 | 60 | 1.9 | 1.6 | 57.50 | 42.20 | 3.30 |
| 60 | 80 | 2.2 | 1.8 | 77.80 | 61.00 | 3.30 |
| 60 | 100 | 2.4 | 2 | 98.00 | 79.00 | 3.90 |
| 75 | 75 | 2.1 | NA | 72.60 | 57.10 | 3.40 |
| 80 | 25 | NA | 1.6 | 22.10 | 11.80 | 3.40 |
| 80 | 40 | 1.6 | 1.6 | 37.20 | 23.30 | 3.40 |
| 80 | 60 | 1.9 | 1.8 | 57.50 | 42.20 | 3.30 |
| 80 | 80 | 2.3 | 2 | 77.80 | 61.00 | 3.30 |
| 80 | 100 | 2.5 | 2.1 | 98.00 | 79.00 | 3.90 |
| 100 | 40 | NA | 1.7 | 37.20 | 23.30 | 3.40 |
| 100 | 60 | 1.9 | 1.9 | 57.50 | 42.20 | 3.20 |
| 100 | 80 | 2.4 | 2 | 77.80 | 61.00 | 3.30 |
| 100 | 100 | 2.5 | 1.9 | 98.00 | 79.00 | 3.90 |
| 120 | 60 | NA | 1.9 | 57.40 | 42.20 | 3.20 |
| 120 | 80 | 2.5 | 1.9 | 77.80 | 61.00 | 3.30 |
| 150 | 100 | 2.5 | NA | 98.00 | 79.00 | 3.90 |

*NA - Size not Available

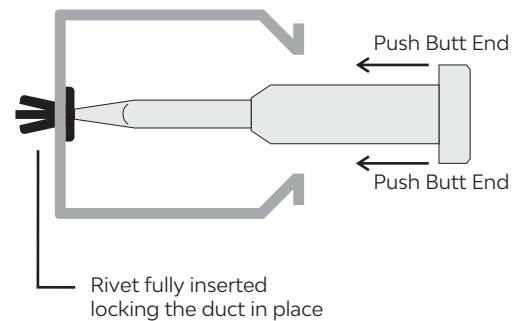
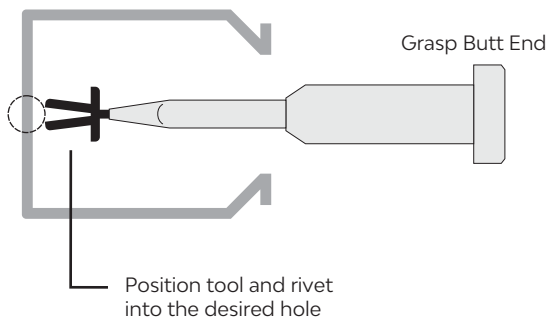
For sizes please correspond the alphabets in design with the alphabets in the above table.

Tools of Installation

Rivet Installation Tool



| Article No. | Type | Description | Pcs./Box |
|-------------|------|-------------------------|----------|
| 01 17 00687 | TRIT | Rivet Installation Tool | 1 |

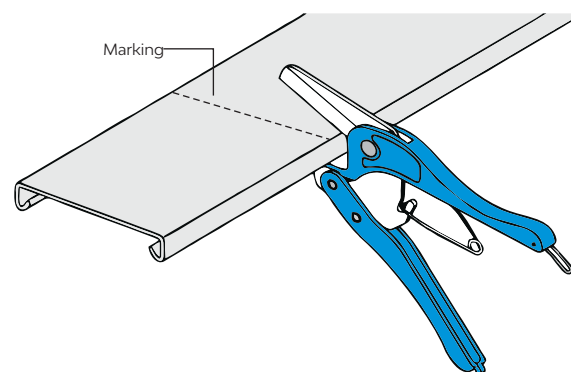
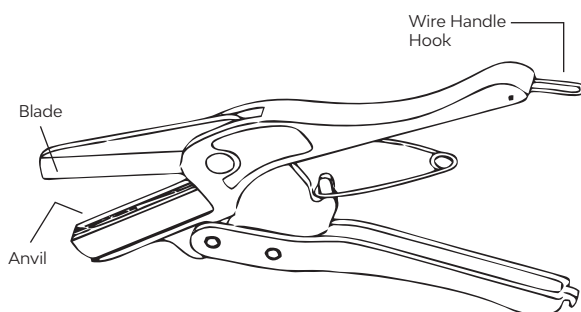


Wiring Ducts Cutting Tool



| Article No. | Type | Description | Pcs./Box |
|-------------|-------|--------------------------|----------|
| 01 17 00688 | TWDCT | Wiring Duct Cutting Tool | 1 |

Used For Cutting Wiring Duct & Wiring Duct Cover



Replacement Instructions

Blade Replacement :

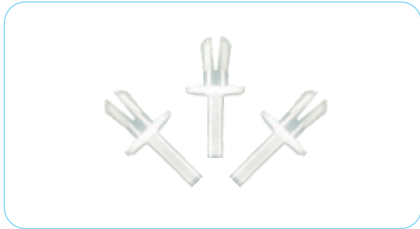
Unhook spring from hook on blade. using a screwdriver and hex wrench, remove nut and screw. Slide blade upward, out of tool, and replace with new blade. Fasten using existing screw and nut.

Anvil Replacement :

Carefully take out existing Anvil. Apply a small amount of adhesive to bottom of replacement Anvil. Place new Anvil into lower jaw of tool.

Wiring Duct's Accessories

Rivet



| Article No. | Type | Description | Pcs./Box |
|-------------|------|-------------|----------|
| 01 17 00689 | TNR | Rivet | 100 |

Tag Holder



| Article No. | Type | Description | Pcs./Box |
|-------------|-------|---------------------|----------|
| 01 17 05510 | TTH-N | Tag Holder (Narrow) | 50 |
| 01 17 05512 | TTH-W | Tag Holder (Wide) | 50 |

Mounting Clips



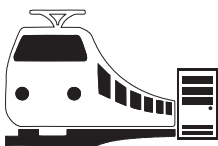
| Article No. | Type | Description | Pcs./Box |
|-------------|--------|------------------------|----------|
| 01 17 05511 | TMC-01 | M Clip 01-Round | 50 |
| 01 17 05513 | TMC-02 | M Clip 02 -Rectangular | 50 |

Wall Divider



| Article No. | Type | Description | Pcs./Box |
|-------------|-----------|--|----------|
| 01 17 05759 | TWD40LG2 | Wall Divider 40 mm, Light Grey, 2 meter | 50 |
| 01 17 05758 | TWD60LG2 | Wall Divider 60 mm, Light Grey, 2 meter | 50 |
| 01 17 05757 | TWD80LG2 | Wall Divider 80 mm, Light Grey, 2 meter | |
| 01 17 05756 | TWD100LG2 | Wall Divider 100 mm, Light Grey, 2 meter | |

Application Area



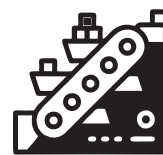
Railways Cabinets



Oil & Gas



Data Processing Centres



Mining Facilities

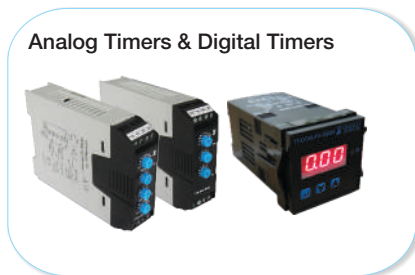
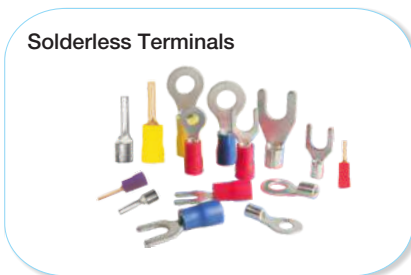
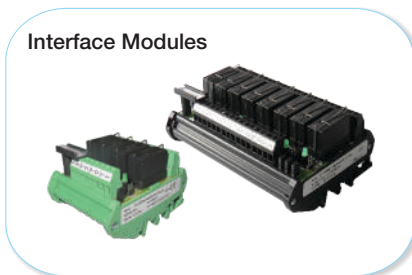


Marine Industries



Switch Board Cabinets

OTHER PRODUCT PROGRAMS



Trinity Touch (EUROPE) Ltd.

www.trinitytouch.co.uk

UK

Unit-L, Tyson Courtyard, Weldon South
Industrial Estate, Corby, Northants, NN18 8AZ, UK
Tel: +44 (0) 1536 400 641 Fax: +44 (0) 1536 268 043
E-mail: gbsales@trinitytouch.com

Trinity Touch- FZCO

UAE

Premises Nr. 31136 - 001
IFZA Business Park, DDP, Dubai Silicon Oasis,
Dubai UAE



Trinity Touch Pvt. Ltd.

www.trinitytouch.com

INDIA

Delhi: Corporate Office

D-10, Defence Colony, New Delhi
110024, INDIA

Tel: +91.11.71200900

Fax: +91.11.71200998

E-mail: postmaster@trinitytouch.com

Distributed by :

